

**DENSO**

**DENSO**

[www.densorobotics-europe.com](http://www.densorobotics-europe.com)

**Headquarters:**

DENSO Robotics Europe | DENSO EUROPE B.V.

Waldecker Str. 9, 64546 Moerfelden-Walldorf, Germany

t: +49 (0) 6105 27 35 150 f: +49 (0) 6105 27 35 180

@: [info@densorobotics-europe.com](mailto:info@densorobotics-europe.com) (commercial information)

@: [support@densorobotics-europe.com](mailto:support@densorobotics-europe.com) (technical support)



[www.facebook.com/DENSORoboticsEurope](http://www.facebook.com/DENSORoboticsEurope)



[www.twitter.com/DENSORoboticsEU](http://www.twitter.com/DENSORoboticsEU)



[www.youtube.com/DENSORoboticsEurope](http://www.youtube.com/DENSORoboticsEurope)

Watch our latest videos



The QR-Code's inventor



# VS Series

The DENSO 6-axis VS Series are a simpler version of the new VS Series. If your application requires more basic features, the VS Series robots are an excellent solution

	PAYLOAD (KG)	ARM REACH (MM)
VS-6556G-B	7	653
VS-6577G-B	7	854

- PREDECESOR OF THE NEW VS SERIES
- OPTIONAL SPECIFICATIONS: robots are available as Standard (IP40), Dust & splash proof (IP65/54), Cleanroom classes ISO 3 and UL specifications (for the USA and Canada)

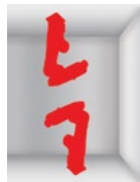
VS-6556G-B



VS-6577G-B

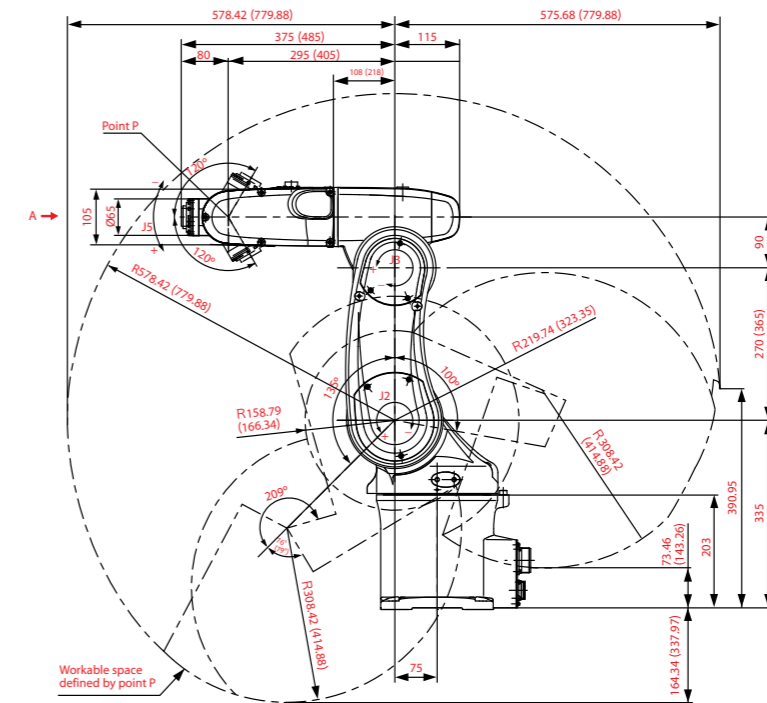


Mounting Options

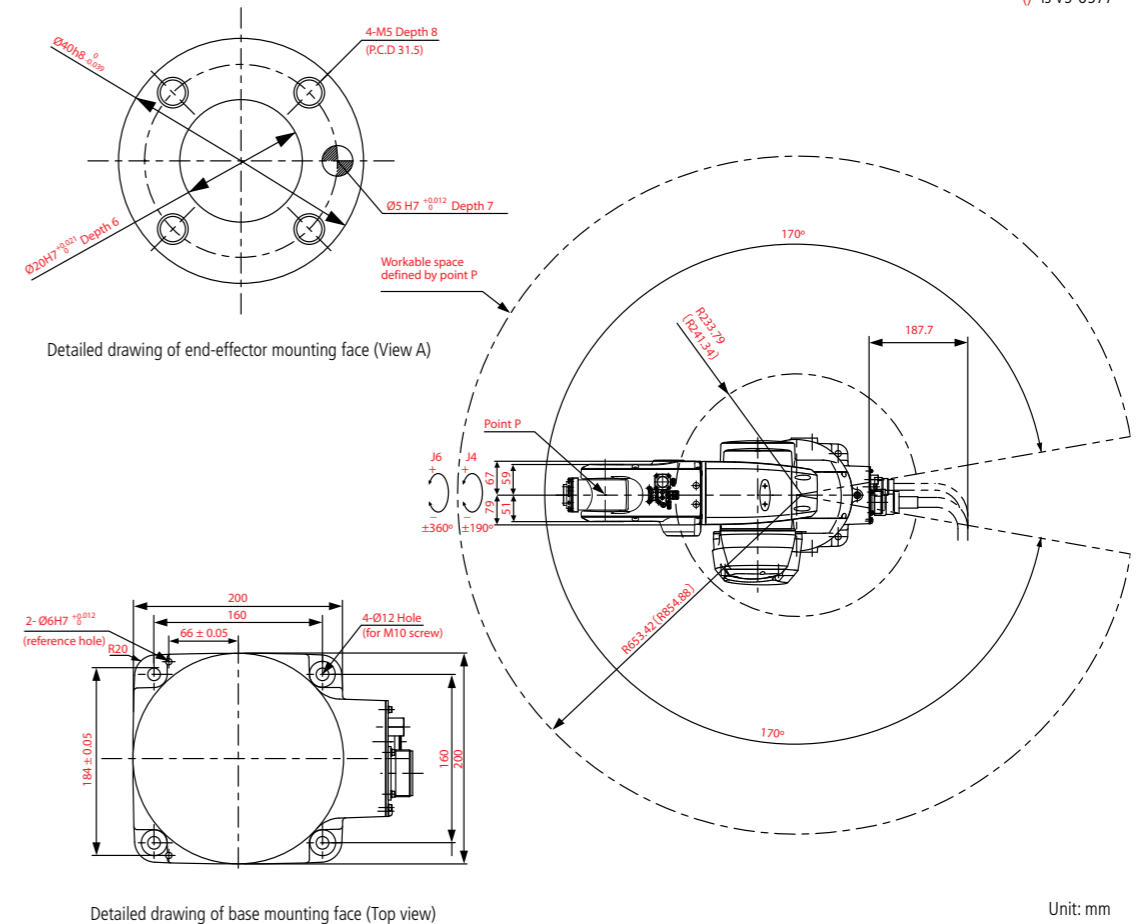


		Unit	VS-6556G-B	VS-6577G-B
Number of axis			6	6
Maximum arm area (Point P: Wrist center)		mm	653	854
Payload (1)		kg	7	7
Maximum composite speed		mm/s	8200 (at the center of an end-effector mounting face)	7600 (at the center of an end-effector mounting face)
Cycle time		s	0.49 (with 1 kg weight)	0.59 (with 1 kg weight)
Position repeatability (2)		mm	±0.02 (3)	±0.03 (3)
Environment resistance		Protection class	IP40, IP65/54 (IP65 only in J4, J5 and J6)	
		Cleanroom class	Class ISO 5 & 3	
UL specification (4)			✓	✓
Motion range	J1	deg	±170	±170
	J2		+135, -100	+135, -100
	J3		+166, -119	+169, -119
	J4		±190	±190
	J5		±120	±120
	J6		±360	±360
Maximum allowable inertia	J4	kgm <sup>2</sup>	0.413	0.413
	J5		0.063	0.063
	J6		0.063	0.063
Signal lines & air piping	Signal lines	10 (for proximity sensor signals, etc.)		
	Air piping	Standard and Dust & Splash-proof: 7 systems (φ4x6, φ6x1), 3 solenoid valves (2-position, double solenoid), Clean: 6 systems (φ4x6), 3 solenoid valves (2-position, double solenoid)		
Brakes		Brakes for joints J2 to J6		
Mounting configuration			Floor, Ceiling	Floor, Ceiling
Arm weight		kg	Approx. 35	Approx. 36

1. If the payload exceeds 6 kg, the robot unit must be used with the flange facing down at ±45 degrees from vertical. 2. Position repeatability is the value at constant ambient temperature. 3. In every direction. 4. Only for Dust & Splash-proof model with brakes.



○ is VS-6577



Unit: mm

Legend

VS - 6 5 - - -

Small 5- and 6-axis type

Axes: 6: 6-axis

Standard payload: 5: 6 kg \*Maximum payload is 7 kg

Total arm length: 56: 565 mm 77: 770 mm

Options:  
None: Standard type  
B: With brake  
W: Dust & splash proof type (wrist: IP65, unit: IP54)  
BW: With brake/dust & splash proof type  
P: Cleanroom type (class 10/100)  
BP: With brake/cleanroom type  
UL: UL specifications