

DENSO

DENSO

www.densorobotics-europe.com

Headquarters:

DENSO Robotics Europe | DENSO EUROPE B.V.

Waldecker Str. 9, 64546 Moerfelden-Walldorf, Germany

t: +49 (0) 6105 27 35 150 f: +49 (0) 6105 27 35 180

@: info@densorobotics-europe.com (commercial information)

@: support@densorobotics-europe.com (technical support)



www.facebook.com/DENSORoboticsEurope



www.twitter.com/DENSORoboticsEU



www.youtube.com/DENSORoboticsEurope

Watch our latest videos



The QR-Code's inventor



VP Series

The most compact of all our 6-axis robots is perfect for installations where operational space is very limited and payloads up to 3 kg are needed

	PAYLOAD (KG)	ARM REACH (MM)
VP-5243	3	430
VP-6242	2.5	432

- **COMPACT:** the most compact of all our 6-axis robots is perfect for installations where operational space is very limited and payloads of up to 3 kg are needed
- **LIGHT:** robot arms weigh 13 kg and 15 kg
- **OPTIONAL NUMBER OF AXIS:** robot series is available in 5- & 6-axis

Mounting Options



VP-5243G

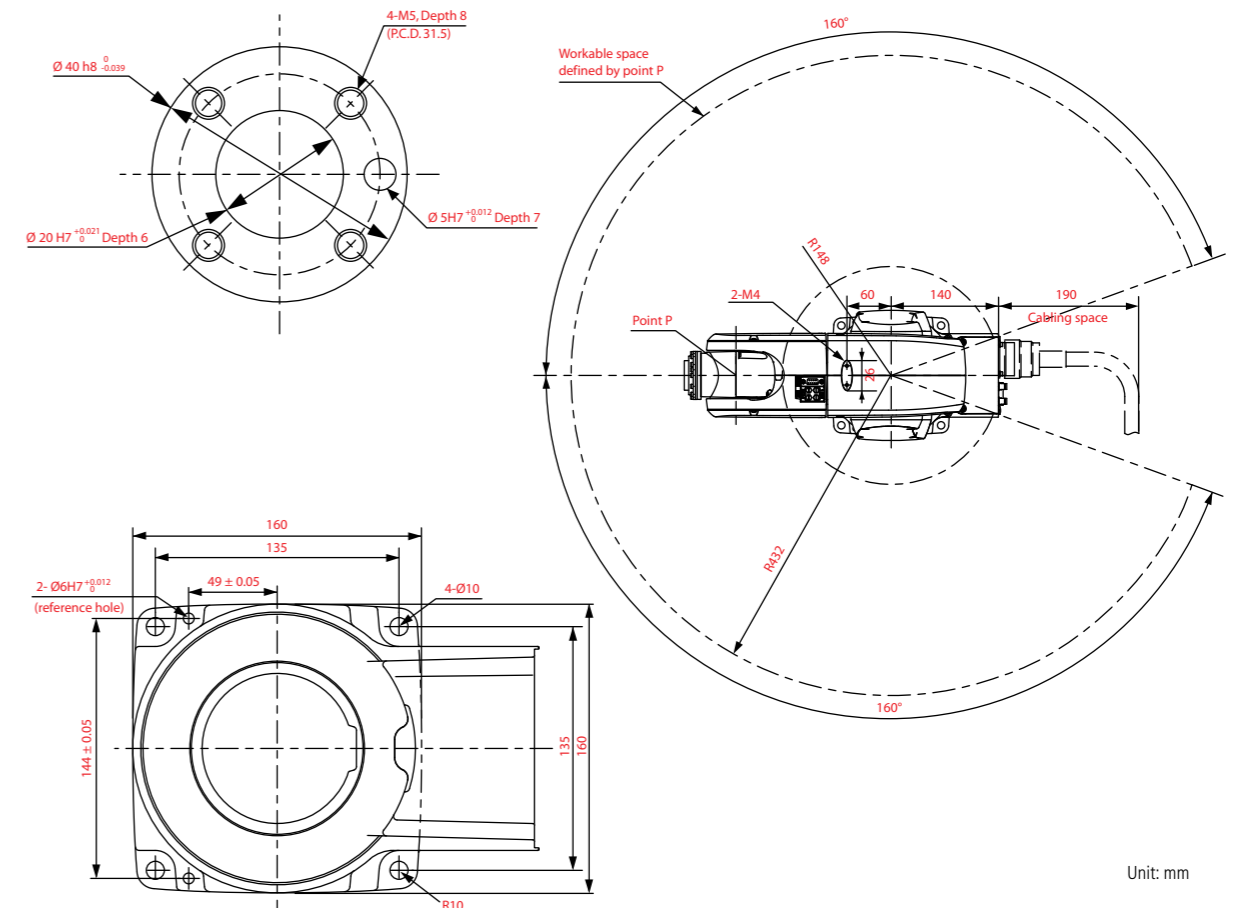
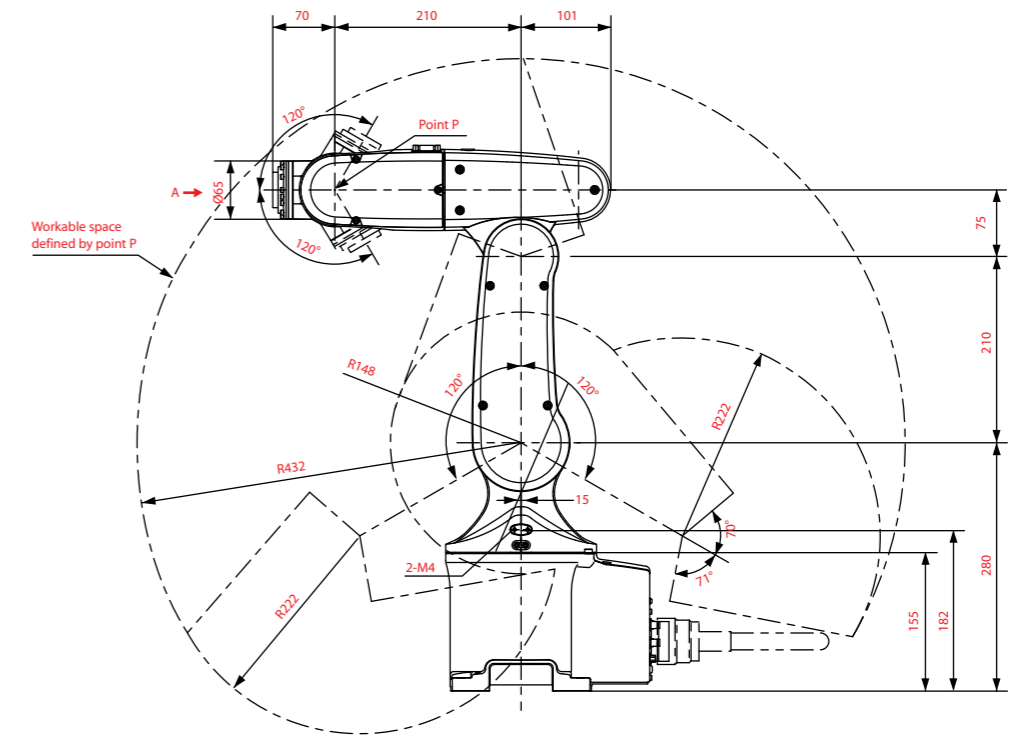


VP-6242G



		Unit	VP-5243G	VP-6242G
Number of axis			5	6
Maximum arm area (Point P: Wrist center)		mm	430	432
Payload (1)		kg	3 (wrist direction downward)	2.5 (wrist direction downward)
Maximum composite speed		mm/s	3900 (at the center of an end-effector mounting face)	
Cycle time		s	0.99	0.99
Position repeatability (2)		mm	±0.02 (2)	
Environment resistance	Protection class		IP30	
	Cleanroom class		-	-
UL specification			-	-
Motion range	J1	deg	±160	±160
	J2		±120	±120
	J3		+136, -128	+160, +19
	J4		-	±160
	J5		±120	±120
	J6		±360	±360
Maximum allowable inertia	J4	kgm ²	-	0.03
	J5		0.04	0.03
	J6		0.01	0.007
Signal lines & air piping	Signal lines	9 (for proximity sensor signals, etc.)		
	Air piping	4 systems (φ4x4)		
Brakes		Brakes for all joints		
Mounting configuration			Floor, Ceiling	Floor, Ceiling
Arm weight		kg	Approx. 13	Approx. 15

1. If the payload exceeds 2.5 kg (for VP-5243G) and 2 kg (for VP-6242G), the robot units must be used with the flange facing down at ±45 degrees from vertical. 2. Position repeatability is the value at constant ambient temperature. 3. In every direction.



Unit: mm

Legend

VP - □ 2 □ □

Mini 5- and 6-axis type	Axis: 5: 5-axis 6: 6-axis	Standard payload: 2: 2 kg (6-axis) 2.5 kg (5-axis) *The maximum payload is 2.5 kg (6-axis) or 3 kg (5-axis)	Total arm length: 42: 420 mm 43: 430 mm
-------------------------	---------------------------------	---	---