

DENSO

DENSO

www.densorobotics-europe.com

Headquarters:

DENSO Robotics Europe | DENSO EUROPE B.V.

Waldecker Str. 9, 64546 Moerfelden-Walldorf, Germany

t: +49 (0) 6105 27 35 150 f: +49 (0) 6105 27 35 180

@: info@densorobotics-europe.com (commercial information)

@: support@densorobotics-europe.com (technical support)



www.facebook.com/DENSORoboticsEurope



www.twitter.com/DENSORoboticsEU



www.youtube.com/DENSORoboticsEurope

Watch our latest videos



The QR-Code's inventor



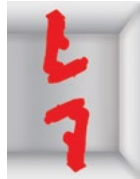
VM Series

If you require payloads higher than 7 kg (and up to 13 kg) and arm reach of up to approx. 1.3 m, the VM Series is the ideal robot series for you. These are the biggest 6-axis robots we offer

	PAYLOAD (KG)	ARM REACH (MM)
VM-6083G	13	1021
VM-60B1G	13	1298

- LONGEST ARM REACH of all 6-axis robots
- LARGEST PAYLOADS at high speed
- OPTIONAL SPECIFICATIONS: Dust & splash proof (IP65/54) and Cleanroom class ISO 5

Mounting Options



VM-6083G

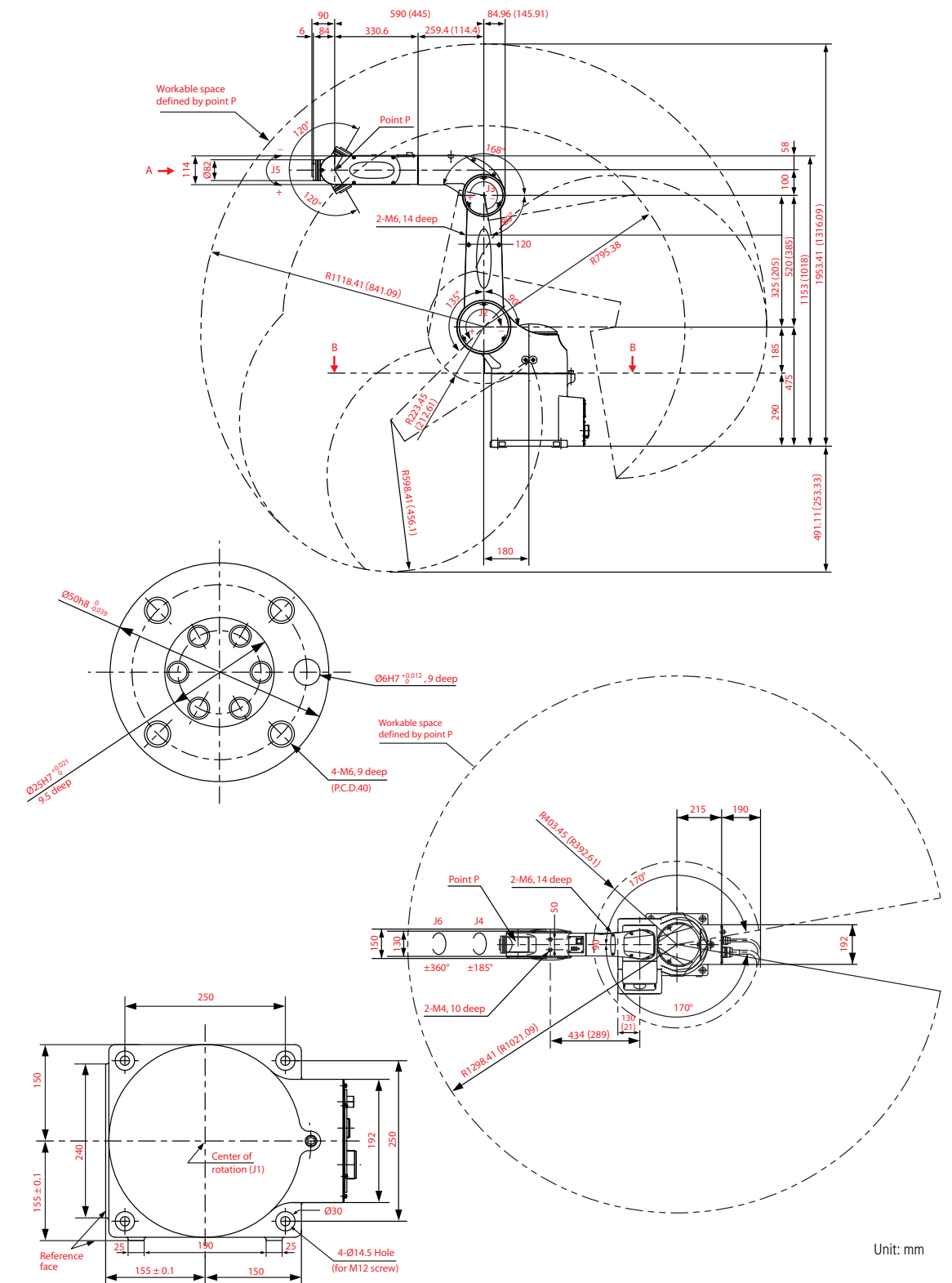


VM-60B1G



		Unit	VM-6083G	VM-60B1G
Number of axis			6	6
Maximum arm area (Point P: Wrist center)		mm	1021	1298
Payload		kg	13	13
Maximum composite speed		mm/s	8300	8300
Cycle time		s	0.89 (with 5 kg weight)	0.95 (with 5 kg weight)
Position repeatability (1)		mm	±0.05 (2)	±0.07 (2)
Environment resistance	Protection class	IP40, IP65/54 (IP65 only in J4, J5 and J6)		
	Cleanroom class	Class ISO 5		
UL specification			-	-
Motion range	J1	deg	±170	±170
	J2		+135, -90	+135, -90
	J3		+165, -80	+168, -80
	J4		±185	±185
	J5		±120	±120
	J6		±360	±360
Maximum allowable inertia	J4	kgm ²	0.36	0.36
	J5		0.36	0.36
	J6		0.064	0.064
Signal lines & air piping	Signal lines	10 (for proximity sensor signals, etc.)		
	Air piping	Standard, Dust & Splash-proof: 7 systems (φ4x6 - φ6x1), 3 x solenoid valves (2 position, double solenoid), Clean: 6 systems (φ4x6), 3 x solenoid valves (2 position, double solenoid)		
Brakes		Brakes for joints J2 to J6		
Mounting configuration			Floor, Ceiling	Floor, Ceiling
Arm weight		kg	Standard: 82, Dust & Splash-proof, Clean: 86	

1. Position repeatability is the value at constant ambient temperature. 2. In every direction.



Legend

VM - 6 0 [] [] - []

- Mid-sized 4-axis robot
- Axes: 6: 6-axis
- Maximum payload: 0: 13 kg
- Total arm length: 83: 830 mm, B1: 1110 mm
- Options: None: Standard type, W: Dust & splash proof type (wrist: IP65, unit: IP54), P: Cleanroom type (class 100)